

Kirk Sandall Industrial Estate, Doncaster, South
Yorkshire, DN3 1QR

+44 (0)1302 310 113
enquiries@prosolveproducts.com
www. prosolveproducts.com

ProSolve is trademark of S.T.L Trading Company
Limited

Reg in England No: 5230722

VAT Reg No: 381 3533 58

DATA SHEET

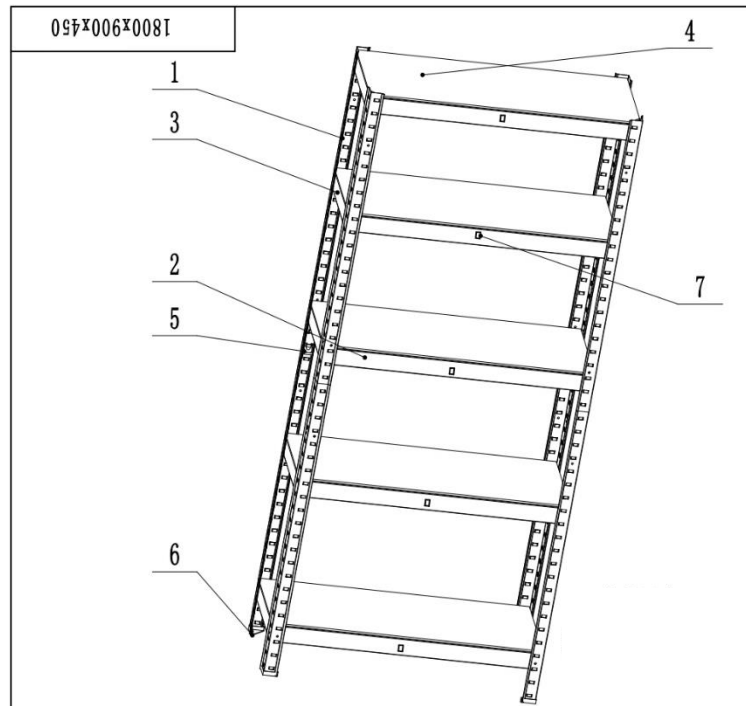
Premium Shelving Kit

SPSK1809045C

DESCRIPTION

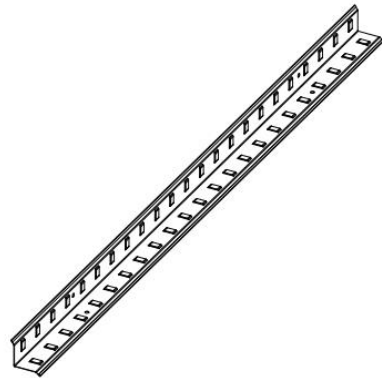
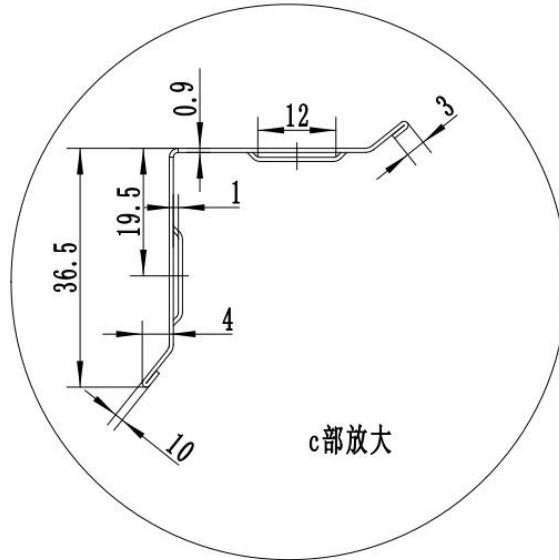
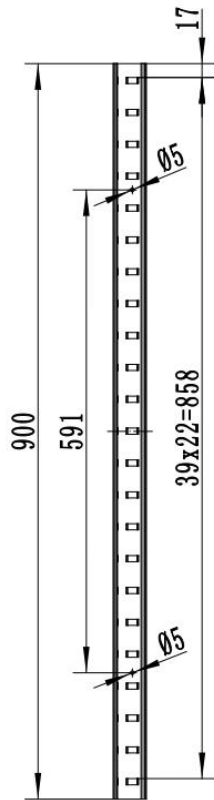
A boltless shelving kit that offers an attractive shelving unit that can be used in offices, utility rooms, garages, workshops and sheds, in fact anywhere where you need to quickly install a sturdy shelving unit.

1. Upright posts x 8
2. Short beams x 10
3. Long beams x 10
4. MDF boards x 5
5. Connectors x 4
6. Plastic caps x 8
7. Reinforcement bars x 5



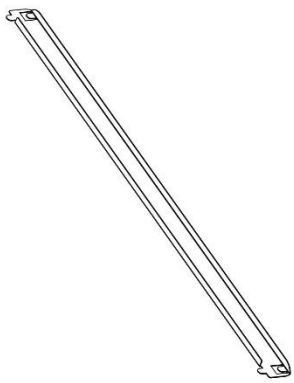
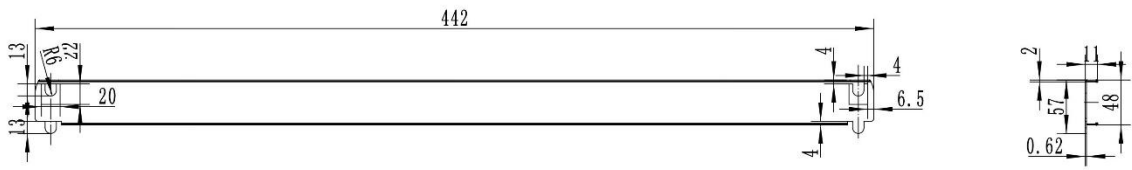
UPRIGHT POSTS

1800x900x450



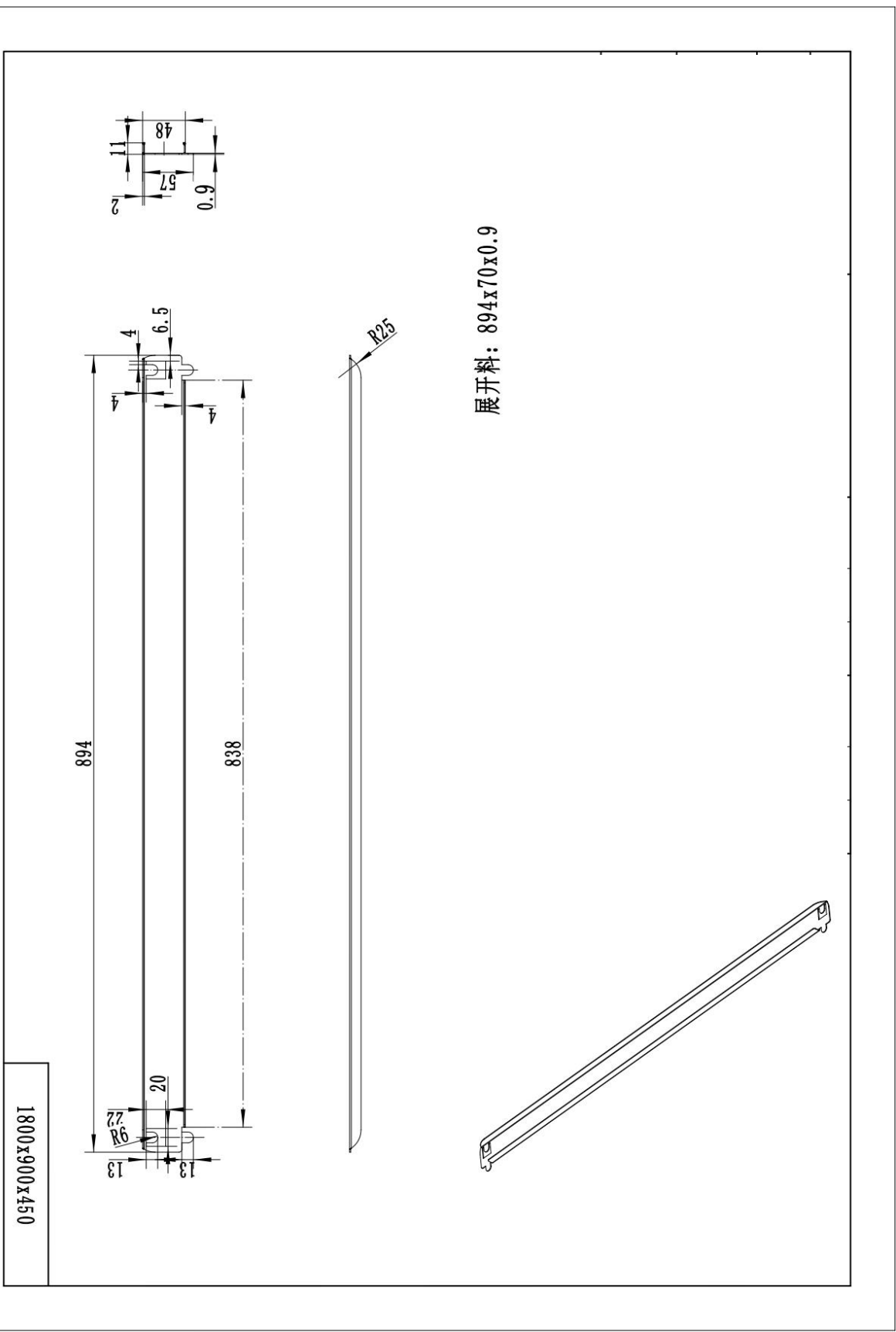
SHORT BEAMS

KCT20C



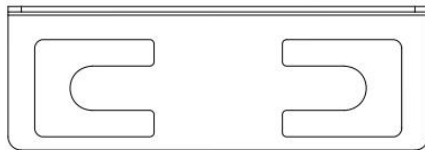
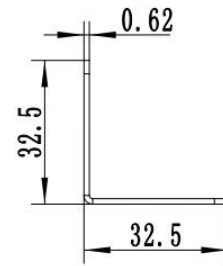
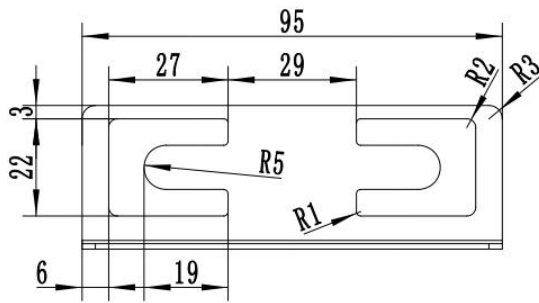
展开料: 442x70x0.62

LONG BEAM



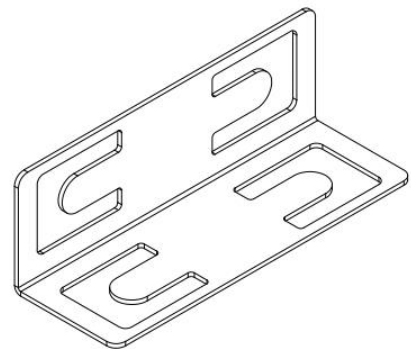
CONNECTORS

1800x900x450

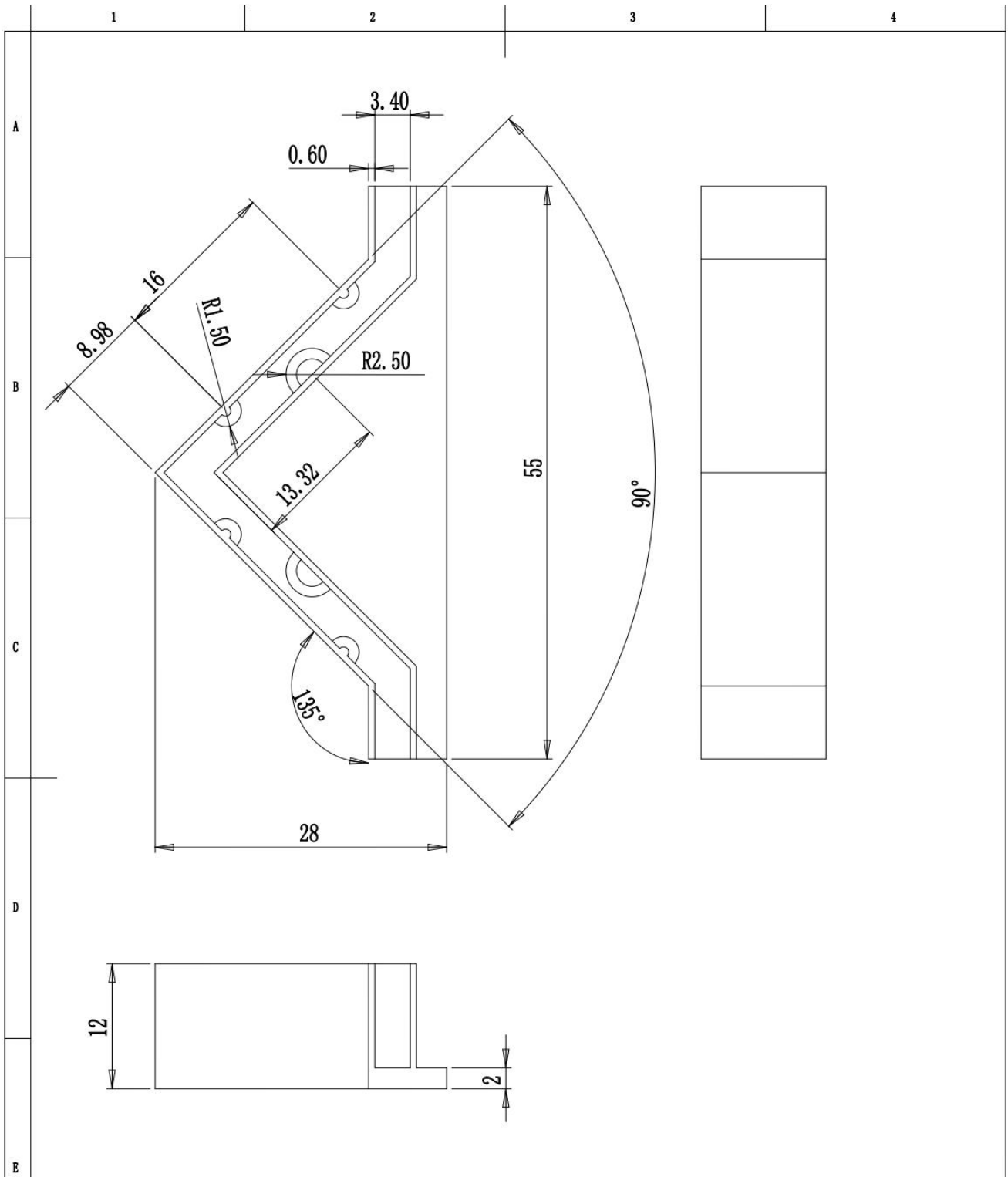


展开料: 95x63.2x

0.62

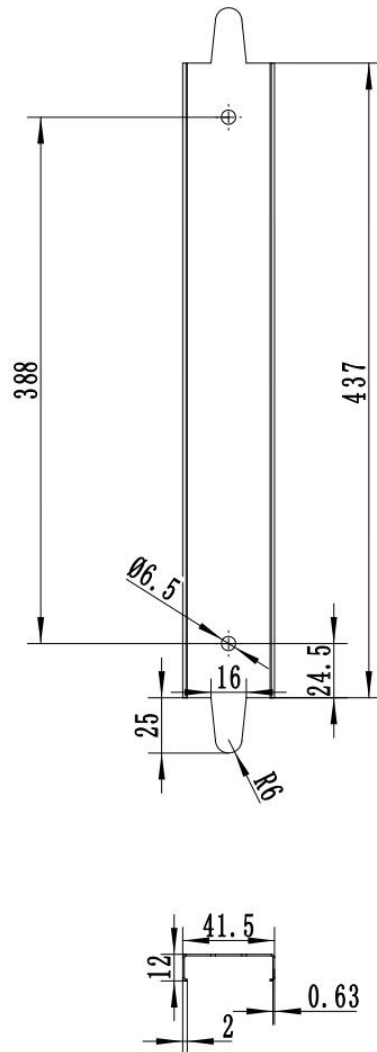


PLASTIC CAP

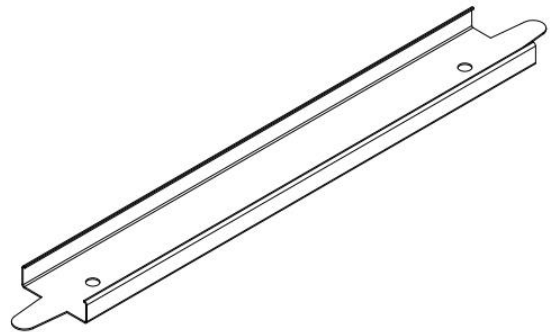


REINFORCEMENT BAR

1800x900x450



注：表面镀锌



IMPORTANT NOTICE

All statements, technical information and recommendations are based on tests we believe to be reliable as at the date of hereof, but the accuracy or completeness thereof is not guaranteed. Please ensure before using the product that it is suitable for your intended use. Since the conditions and methods of use of the product and of the information referred to herein are beyond our control, other than for fraudulent misrepresentation, ProSolve expressly disclaims any and all liability as to any results obtained or arising from any use of the product or reliance on such information.

BEFORE USE, CONSULT THE SAFETY DATA SHEET OF THE PRODUCT.